



# Best All-Around Data Center Lift

## SL-500X® Electric Lift

DATASHEET



### Your Solution for Everyday Server Handling.

The ServerLIFT SL-500X powered lifting device is optimal for frequent server moves, fast installations, and handling IT equipment up to 500 lbs.

- Eliminates risk of equipment damage and injury
- One tech per move, every time
- Micro-leveling SmartTILT™ shelf adjustment for precise alignment
- Move and install stacks of light, thin servers, or fully populated blade chassis
- Operates a full day on one charge

### Safe, quick, seamless server migration operations.

With its powerful electric motor, the ServerLIFT SL-500X device lifts and supports light to heavy servers, switches, and storage arrays. It makes the transportation, positioning, and installation or removal of rack-mounted equipment a breeze.



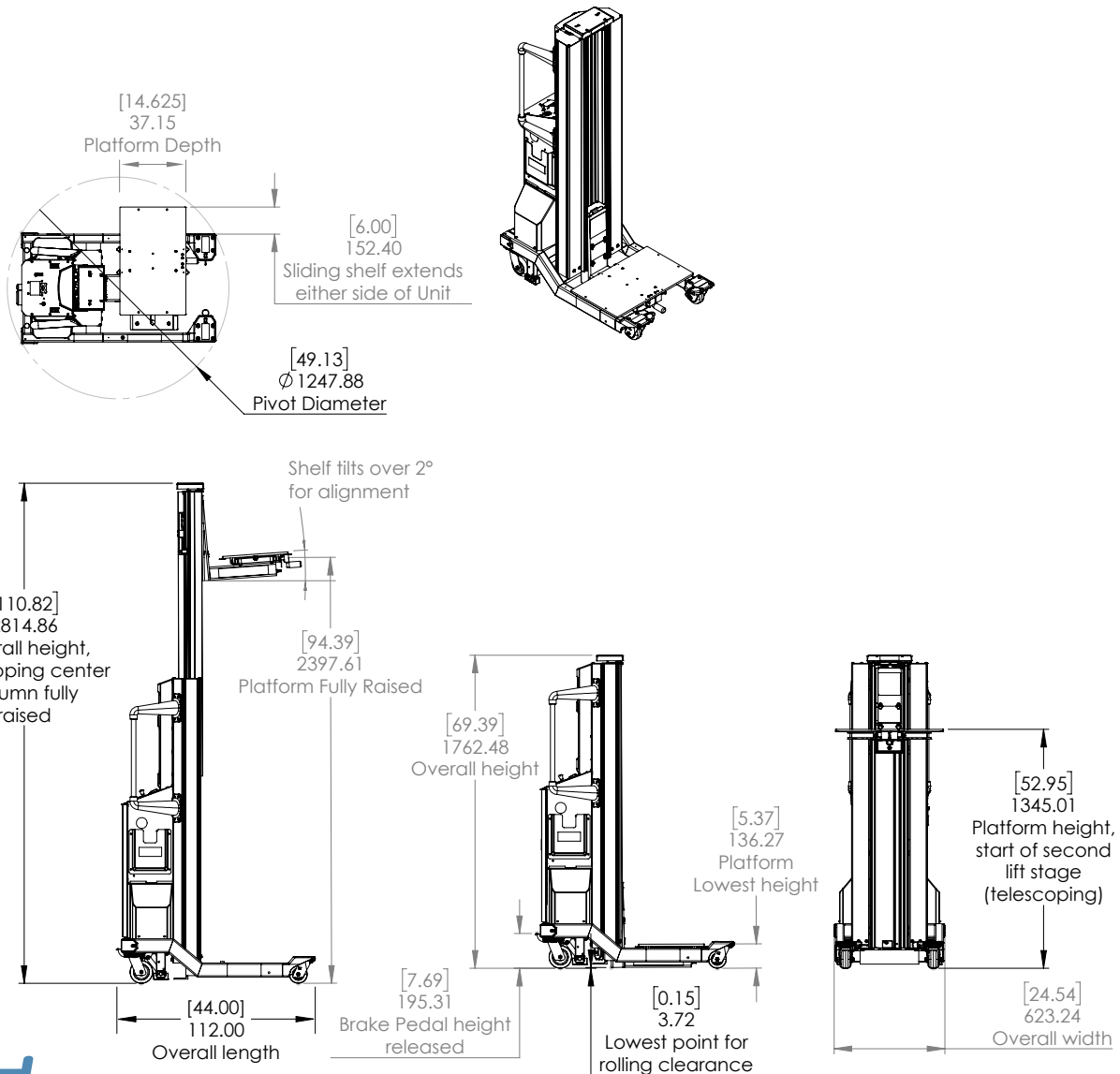
- 500 lb (254 kg) lift capacity
- Lifts and supports servers to over 52U high (8 ft or 2.44 m)
- Side-loading usability for loading parallel to racks on either side of an aisle
- Over 2° of platform angle tilt adjustment
- Optional 1-, 3-, or 5-year Extended Service and Warranty contracts



# Best All-Around Data Center Lift

## SL-500X® Electric Lift

### DATASHEET



#### Features

- Weight: 206.39kg [455lb]
- Shipping Weight: 252.65kg [557lb]
- Zero Turn Radius (can pivot on axis when front casters are unlocked)
- Aisle and "T" Intersection turn limit: 32°
- Side Shelf distance: 6" each side - 12" total travel
- Minimum Aisle Width: 635mm [25"]
- Shelf upper height, fully extended: 2397.6mm [94.39"]
- Shelf lowest height: 136.27mm [5.37"] off the ground
- Maximum load capacity rating: 226.80kg [500lb]

See also our [Serverlift\\_Accessories.pdf](#) datasheet, available on our website.

Mulder-Hardenberg | <https://mulder-hardenberg.com>

Mulder-Hardenberg has been supporting companies in the areas of Telecommunications & Data Centres, Industrial Automation and OEM since 1927. We create the most effective solution for our customers through advanced research. Our resources include manufacturers worldwide with well-designed products to arrive at the most appropriate solution for every application.

Mulder-Hardenberg B.V.  
The Netherlands  
H.N. Werkmanweg 17  
2031 BA Haarlem  
Tel.: +31 (0)85 800 3700  
infoln@m-h.biz

Mulder-Hardenberg  
Germany  
Nordring 13  
D-65719 Hofheim/Ts  
Tel.: +49 (0)6192 97 91 85  
infode@m-h.biz